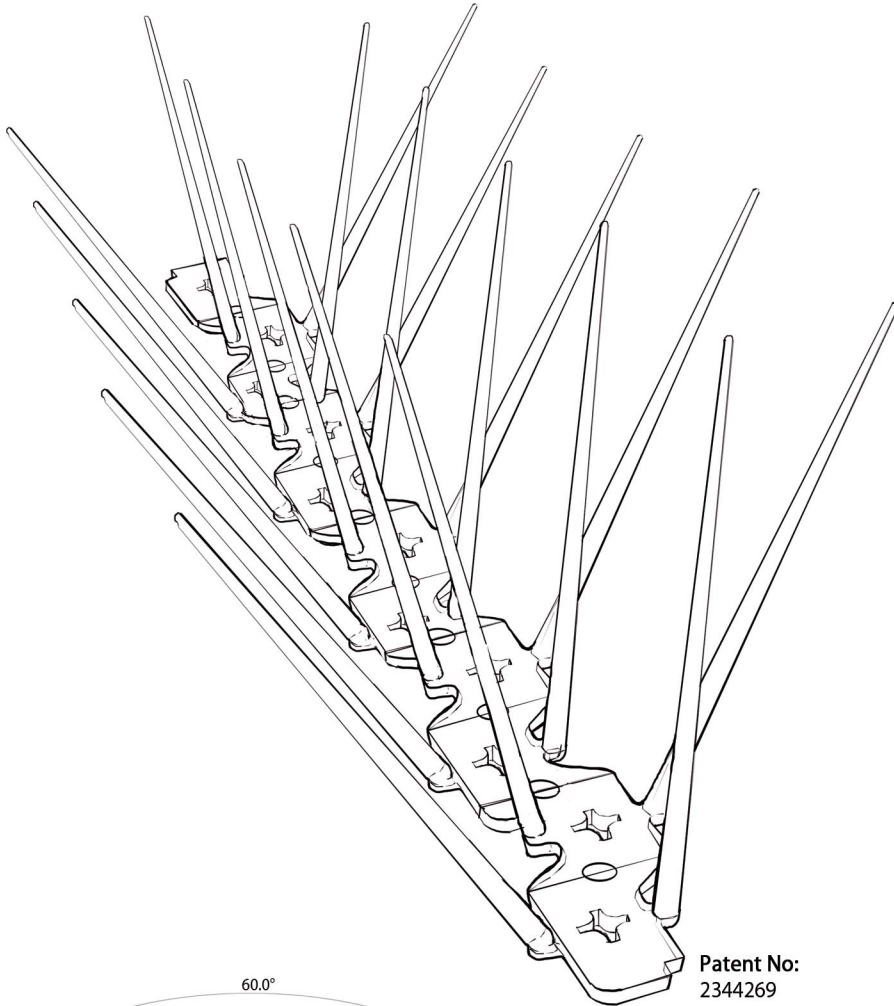




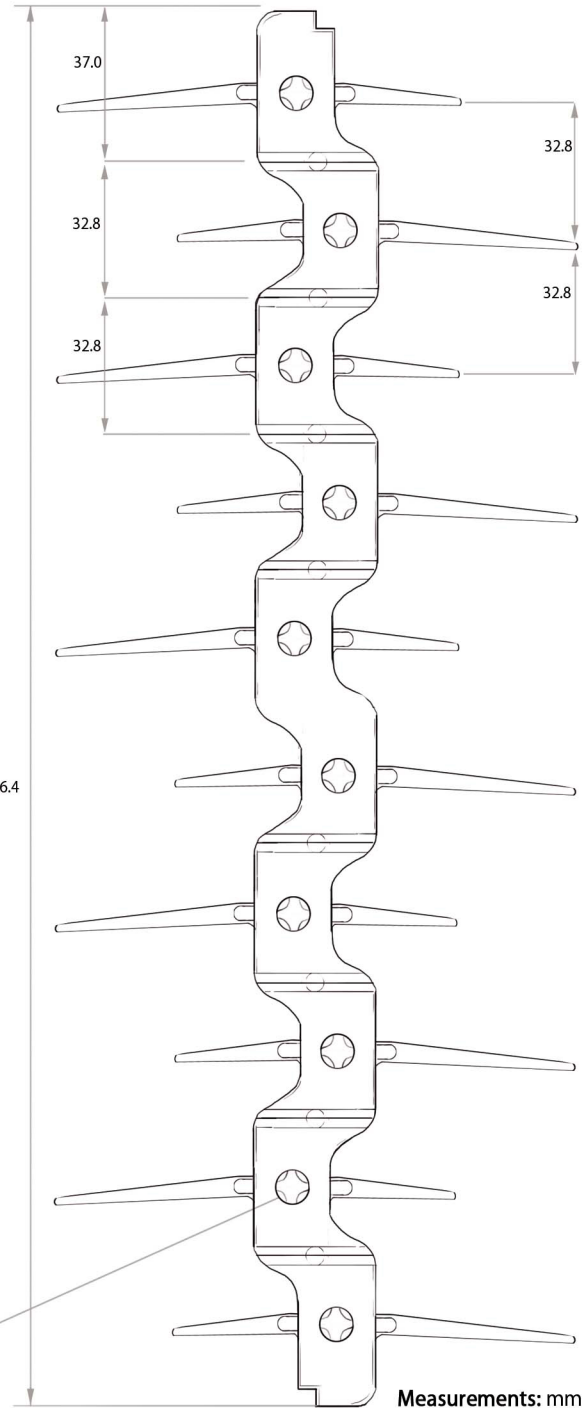
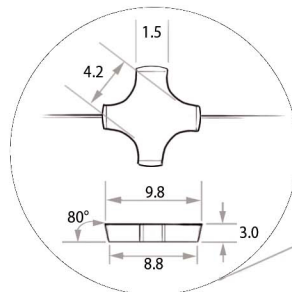
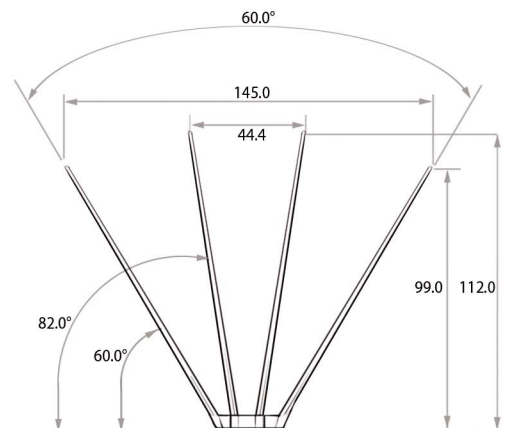
# TECHNICAL DATA SHEET

## Defender 8™ Polycarbonate Bird Spike (Product Code: BIRD0010)

This product has been made from high quality, ultra violet (UV) stabilised polycarbonate (resin product code LEXAN 123R) which gives a flexible and durable system for preventing pigeons from landing. Temperature resistance with no loss of mechanical strength at 130°C. The protruding pins are 4 mm wide at the base, narrowing to a 1 mm at the tip. The pins are 112 mm in length. All pins protrude from the base which is 336.4 mm in length. Angles and spacing of pins can be determined from the below diagrams.



Patent No:  
2344269



### KEY FEATURES

#### 4 Rows of Pins

Unlike most other spikes available, the Defender 8™ Spikes have an extra two rows of pins that are angled outwards making landing impossible from whichever direction the pigeons might approach.

#### Silicone Fixing Holes

Along the base are 10 cross shaped holes. When the spikes are pressed onto a ledge the silicone oozes through the holes forming cross shaped rivets that lock the spike firmly in place. Screws or nails can be used as alternative to silicone.

#### Long Life Expectancy

A 3mm thick UV stabilised base ensures that this spike will be around a lot longer than most other spikes. This product carries a 15 year warranty.

#### Snaps in to Sections

Along the base of the spike are 8 breakable sections that can be simply snapped apart with your fingers.