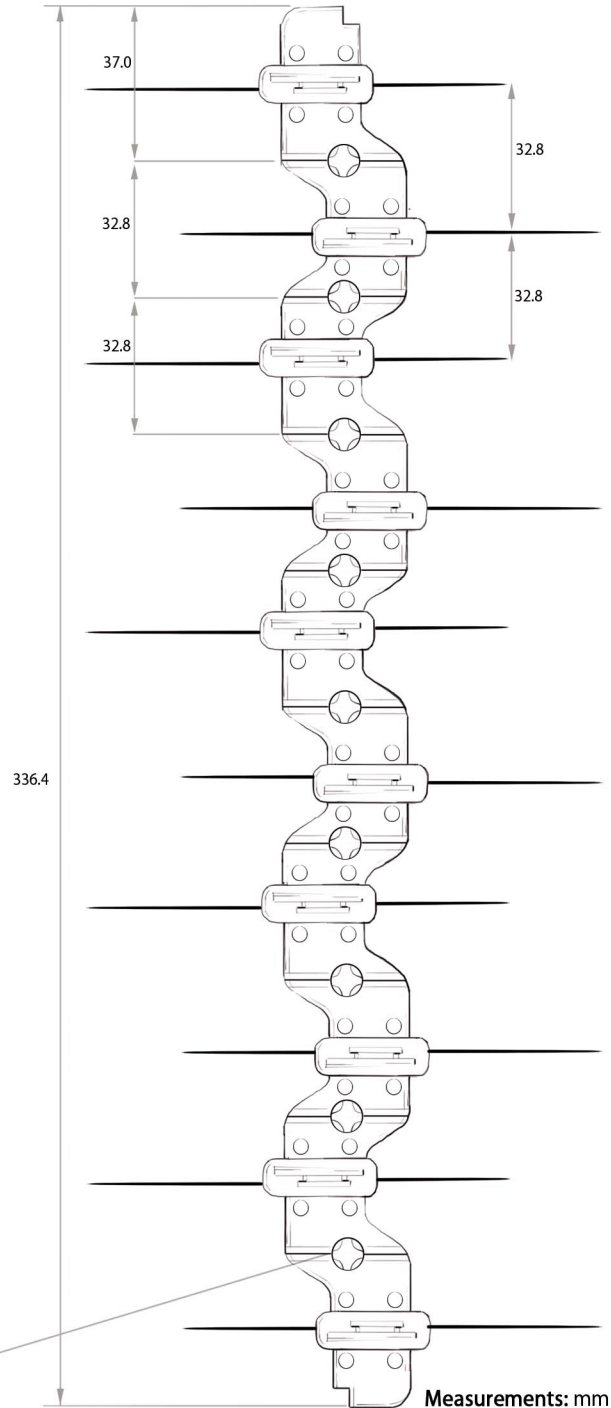
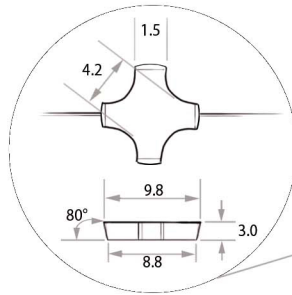
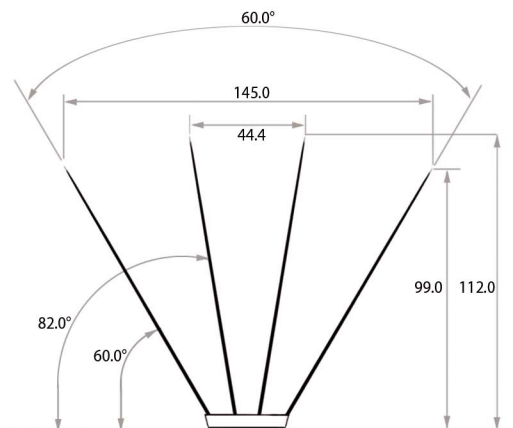
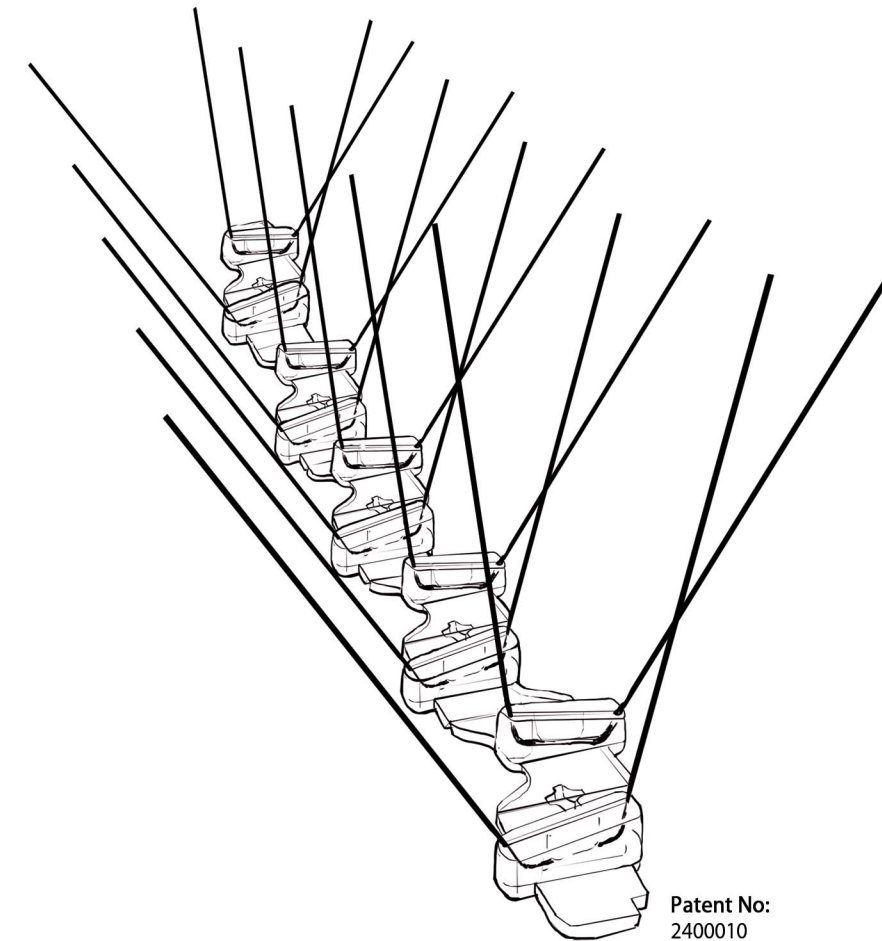




# TECHNICAL DATA SHEET

## Defender 8™ Wide Stainless Steel Bird Spike (Product Code: BIRD0015)

The base of this product is manufactured from high quality, ultra violet (UV) stabilised polycarbonate (resin product code LEXAN 123R) Temperature resistance with no loss of mechanical strength at 130°C. The protruding pins are manufactured from 304 grade stainless steel and have a tensile strength of 1600/mm. The pins are 112 mm in length and have a diameter of approximately 1.42 mm. All pins protrude from the base which is 336.4 mm in length. Angles and spacing of pins can be determined from the below diagrams.



Measurements: mm

### KEY FEATURES

#### 4 Rows of Pins

Unlike most other spikes available, the Defender 8™ Spikes have an extra two rows of pins that are angled outwards making landing impossible from whichever direction the pigeons might approach.

#### Silicone Fixing Holes

Along the base are 9 cross shaped holes. When the spikes are pressed onto a ledge the silicone oozes through the holes forming cross shaped rivets that lock the spike firmly in place. Screws or nails can be used as alternative to silicone.

#### Long Life Expectancy

A 3mm thick UV stabilised base ensures that this spike will be around a lot longer than most other spikes. This product carries a 25 year "No Rust" warranty.

#### Snaps in to Sections

Along the base of the spike are 9 breakable sections that can be simply snapped apart with your fingers.